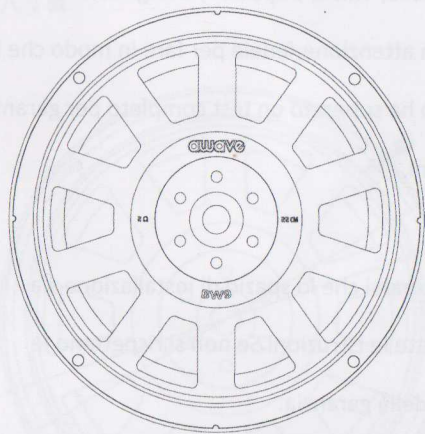


## BW9 Lista di imballaggio del prodotto:



**BW9 Ultrathin Mid Woofer X2**

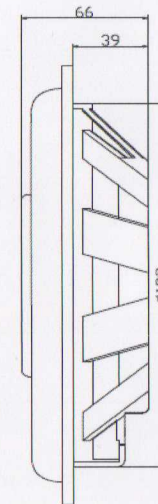
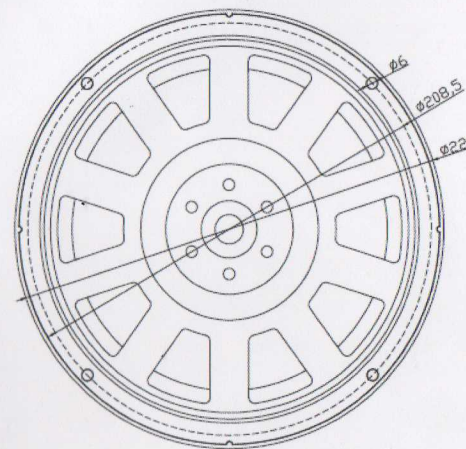
User's Manual

**User's Manual X1**

### SPECIFICATIONS

Model	BW9
Impedance	20hm
Frequency response	35-300Hz
RMS Power	100W
Max Power	200W
RE	1.80hm
SPL	89dB
FS	55Hz
QMS	4.437
QES	0.941
QTS	0.776
VAS	29.4L
MMS	28.66G
BL	4.357T
No	0.518%
CMS	286.569um/N
LE	0.35mH

## 安装尺寸图



### Guarantee Note

The products was under highly strict quality control while production, it should be maximized the performance of it's feature by proper using, but in order to protect the customer's benefits and maintain the reputation of the company, we guarantee that: with this "Guarantee Note", a free reparation is offered to the customer if any malfunction happened during 1 year that caused by production aircraft or the component itself.

Plate No. \_\_\_\_\_ Model No. \_\_\_\_\_

Production Date \_\_\_\_\_ Purchase Date \_\_\_\_\_

Remark