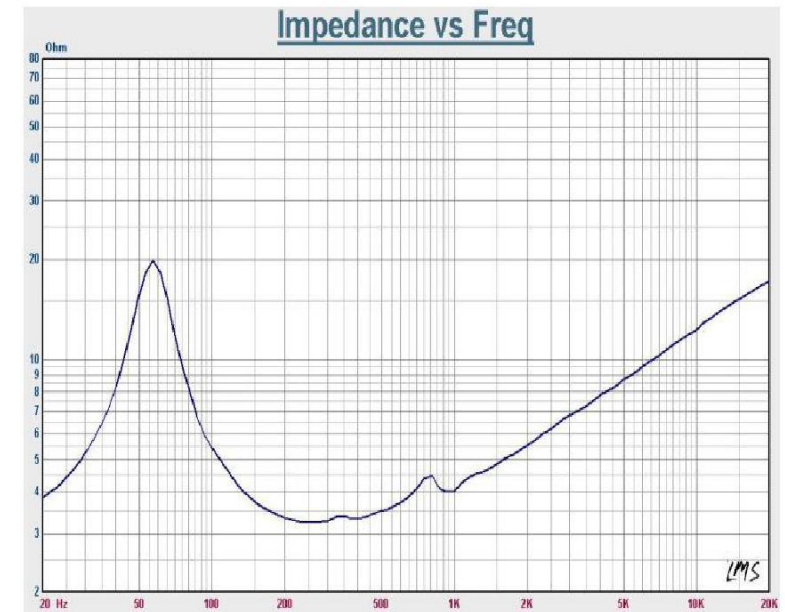
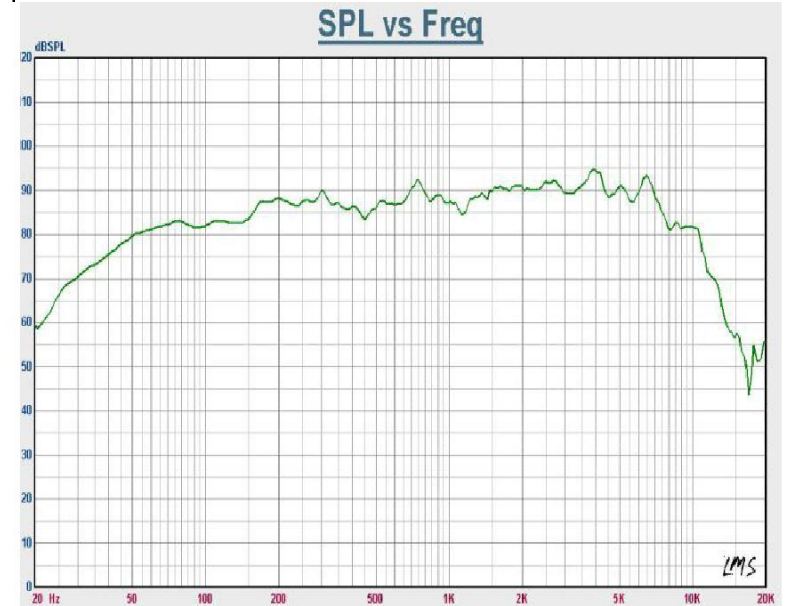
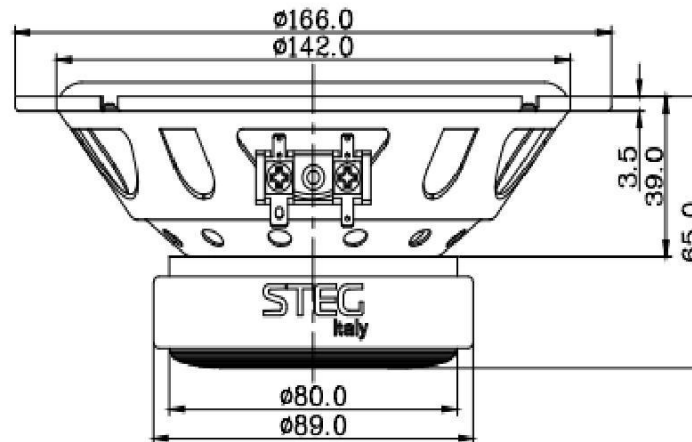
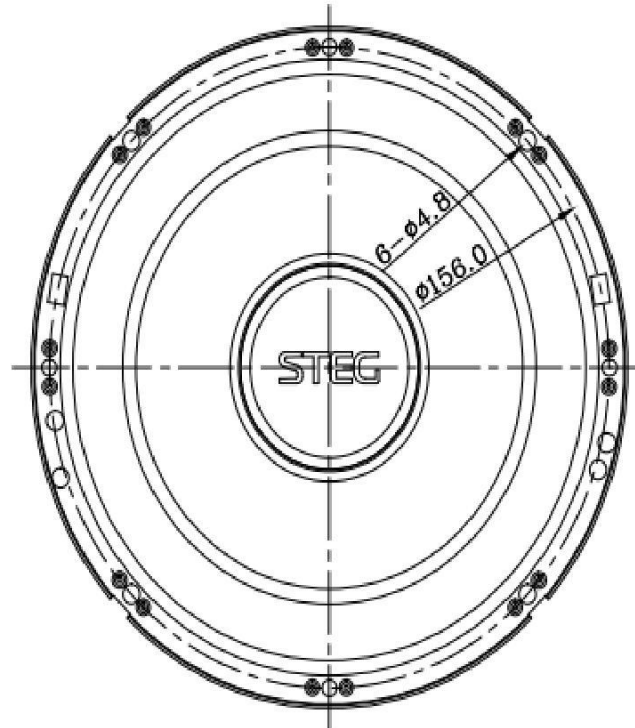


Speaker Model: **SQ 650C- WF**

|                       |                   |
|-----------------------|-------------------|
| IAPHRAGM              | MTL: Rubber+Paper |
| NOMINAL IMPEDANCE:    | 4.0±15% Ω         |
| DCR IMPEDANCE:        | 3.6±10% Ω         |
| SENSITIVITY 1W/1M:    | 87.0±3 dB         |
| FREQUENCY RESPONSE:   | 60-10K Hz         |
| FREE AIR RESONANCE:   | 60±20% Hz         |
| VOICE COIL DIAMETER:  | 25.5 mm           |
| RATED POWER INPUT:    | 20 W              |
| MAXIMUM POWER INPUT:  | 40 W              |
| MAGNET WEIGHT(OZ):    | Ferrite           |
| FERRO FLUID ENHANCED: | NO                |
| Qms:                  | 4.09              |
| Qes:                  | 0.65              |
| Qts:                  | 0.56              |
| BL:                   | 4.5TM             |



Speaker Model: **SQ 650C-TW**

IAPHRAGM MTL: Silk+AL  
NOMINAL IMPEDANCE: 4.0±15% Ω  
DCR IMPEDANCE: 3.6±10% Ω  
SENSITIVITY 1W/1M: 89.0±3 dB  
FREQUENCY RESPONSE: 1800-20K Hz  
FREE AIR RESONANCE: 1800±20% Hz  
VOICE COIL DIAMETER: 25.4 mm  
RATED POWER INPUT: 15 W  
MAXIMUM POWER INPUT: 30 W  
MAGNET WEIGHT(OZ): NEO  
FERRO FLUID ENHANCED: YES

