

Speaker Model: MT/ME -650C-TW

Cone material: Double composite membrane

DCR Impedance: 4.0  $\Omega$

Maximum power Input: 25 W

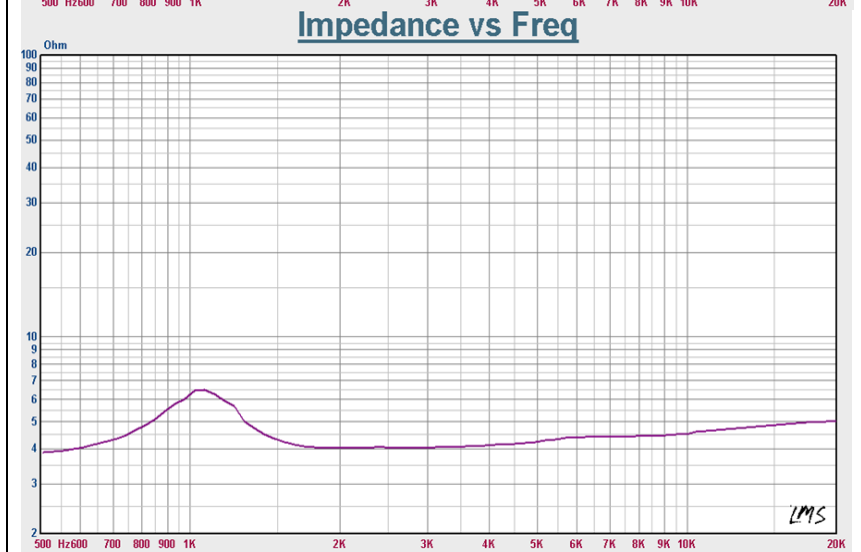
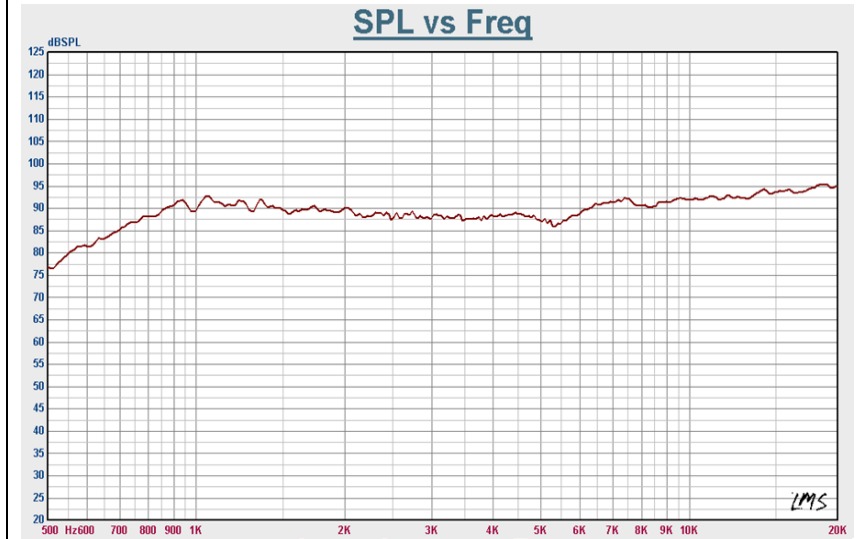
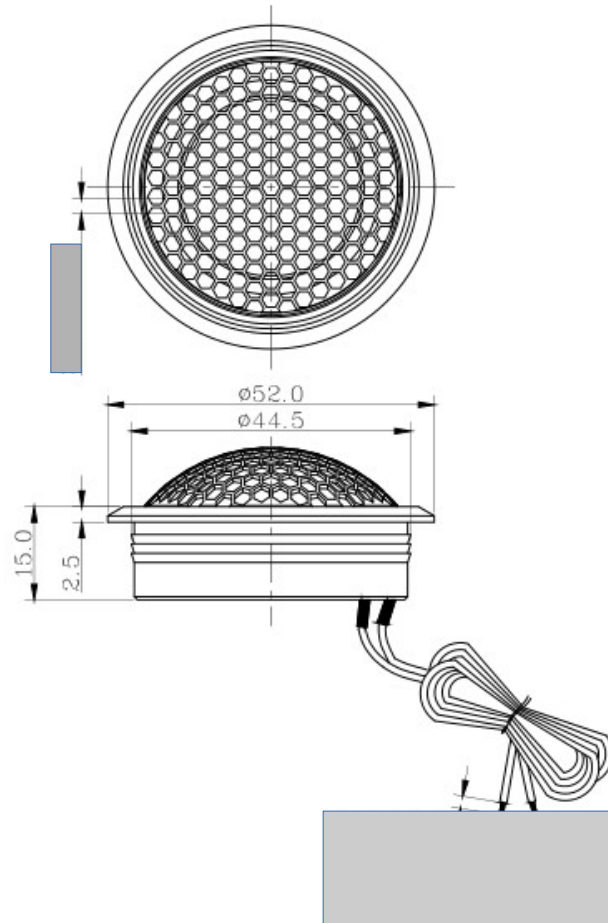
Frequency Range: 1000-22000 Hz

Sensitivity 1W/1M: 90dB

Weight: 0.09(KG)

Mounting Depth: 14 mm

Mounting Diameter: 44mm



Speaker Model:ME-650C-WF

Cone Paper: Pressure basin + import glue

DCR Impedance: 3.6Ω

Maximum Power: 50 W

Frequency Range: 60-5000Hz

Sensitivity 1W/1M: 88 dB

Qms: 2.94

Qes: 0.48

Qts: 0.42

Mms: 14.97G

Vas: 11.83L

Weight: 1.5 KG

Mounting Depth: 74 MM

Mounting Diameter: 147 MM

