

Speaker Model: MS-650C-TW

Cone material: aluminum +Silk

DCR Impedance: 4.0  $\Omega$

Maximum power Input: 25 W

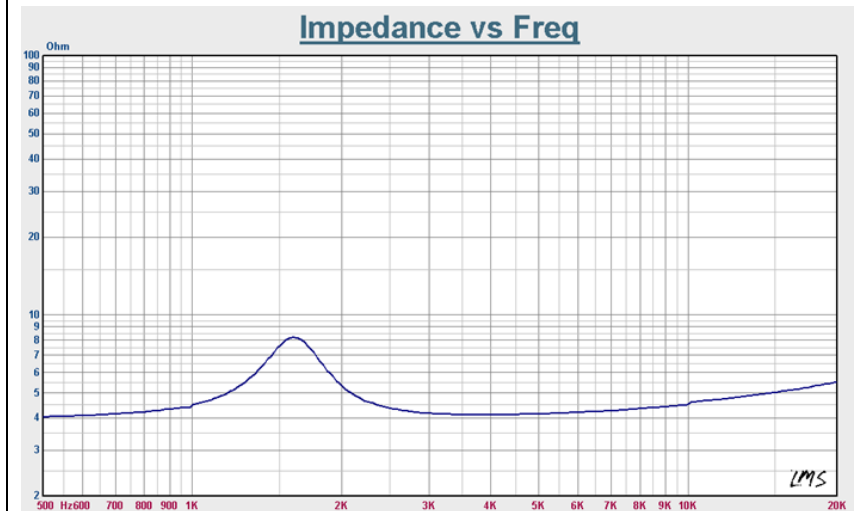
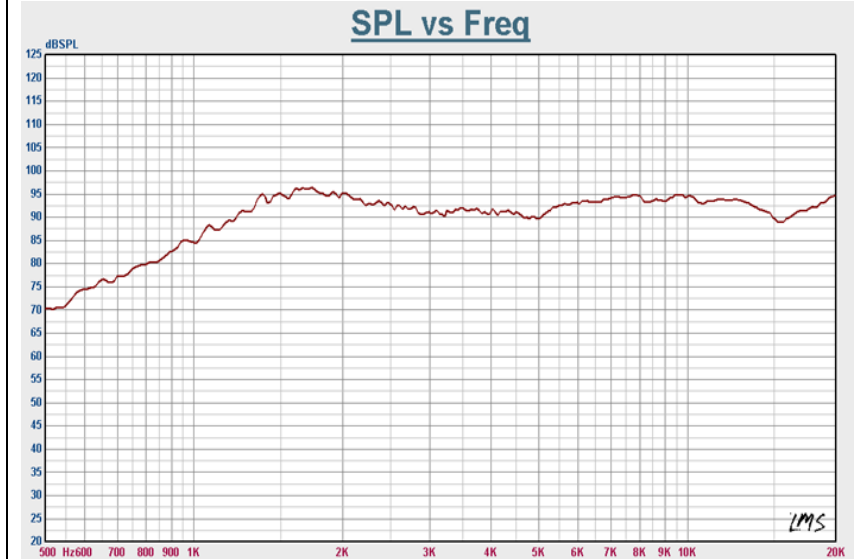
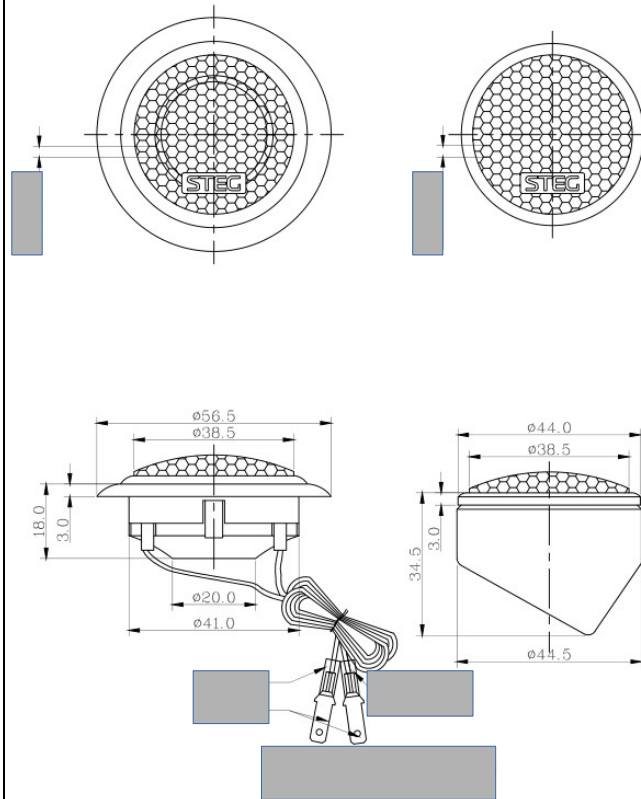
Frequency Range: 1500-25000 Hz

Sensitivity 1W/1M: 90dB

Weight: 0.07(KG)

Mounting Depth: 15 mm

Mounting Diameter:41mm



Speaker Model:MS-650C-WF

Cone Paper: Special rubber edge+ Special Paper

DCR Impedance: 2.8  $\Omega$

Maximum Power: 50 W

Frequency Range: 60-6000Hz

Sensitivity 1W/1M: 88 dB

Qms: 3.88

Qes: 0.57

Qts: 0.5

Mms: 12.05G

Vas: 17.35L

Weight: 0.94 KG

Mounting Depth: 64 MM

Mounting Diameter: 144 MM

