

Speaker Model: MT-650C-WF

Cone Paper: Light sand + import glue

DCR Impedance: 2.6Ω

Maximum Power: 50 W

Frequency Range: 60-5000Hz

Sensitivity 1W/1M: 88 dB

Qms: 9.59

Qes: 0.64

Qts: 0.60

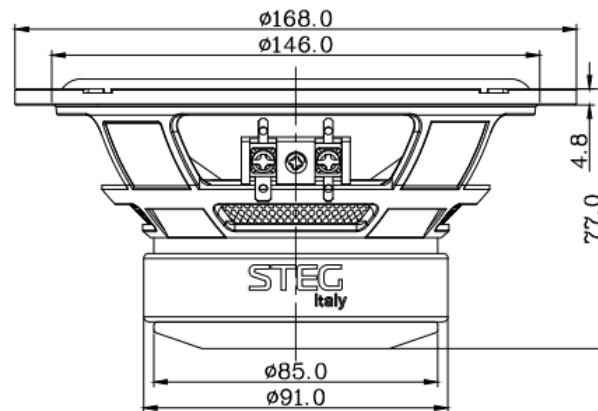
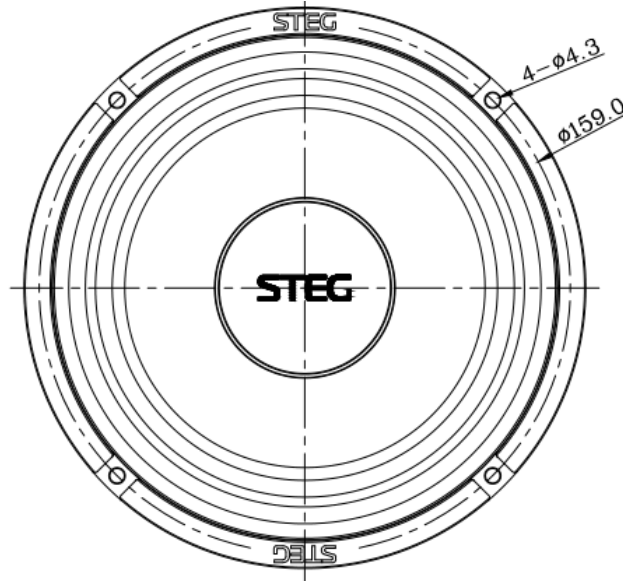
Mms: 16.02G

Vas: 11.20L

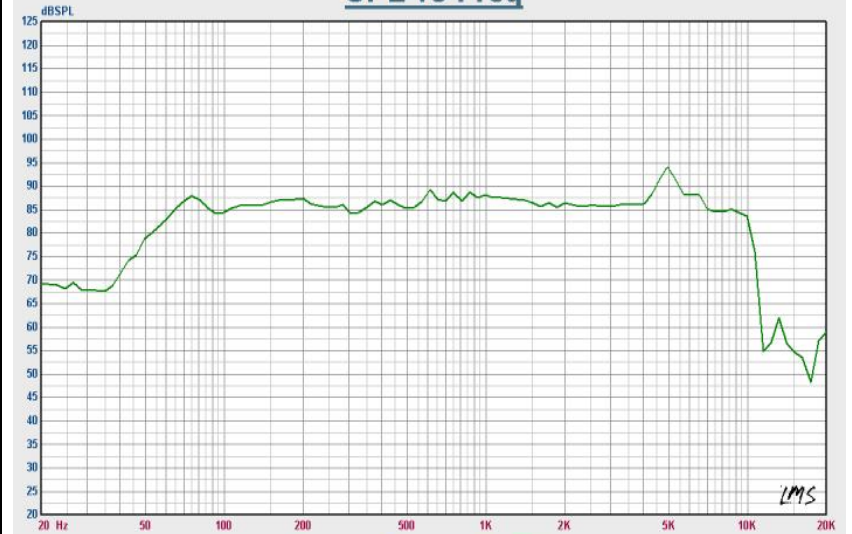
Weight: 1.3 KG

Mounting Depth: 74 MM

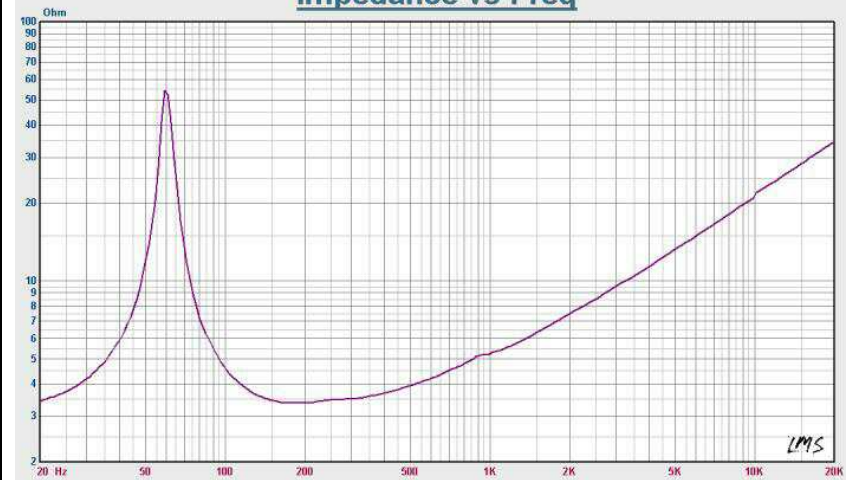
Mounting Diameter: 147 MM



**SPL vs Freq**



**Impedance vs Freq**



Speaker Model: MT/ME -650C-TW

Cone material: Double composite membrane

DCR Impedance: 4.0  $\Omega$

Maximum power Input: 25 W

Frequency Range: 1000-22000 Hz

Sensitivity 1W/1M: 90dB

Weight: 0.09(KG)

Mounting Depth: 14 mm

Mounting Diameter: 44mm

