

Speaker Model:BM25

Cone material: Titanium+Silk

DCR Impedance: 4.0 Ω

Maximum power Input: 25 W

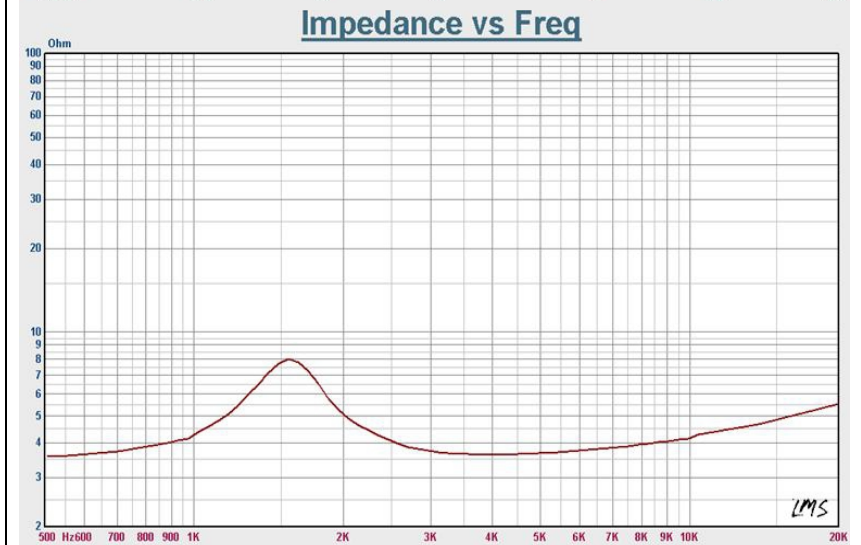
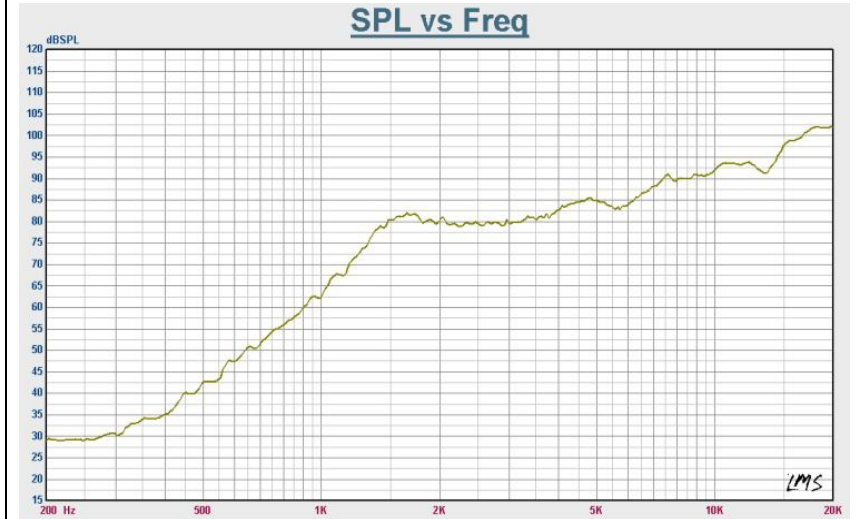
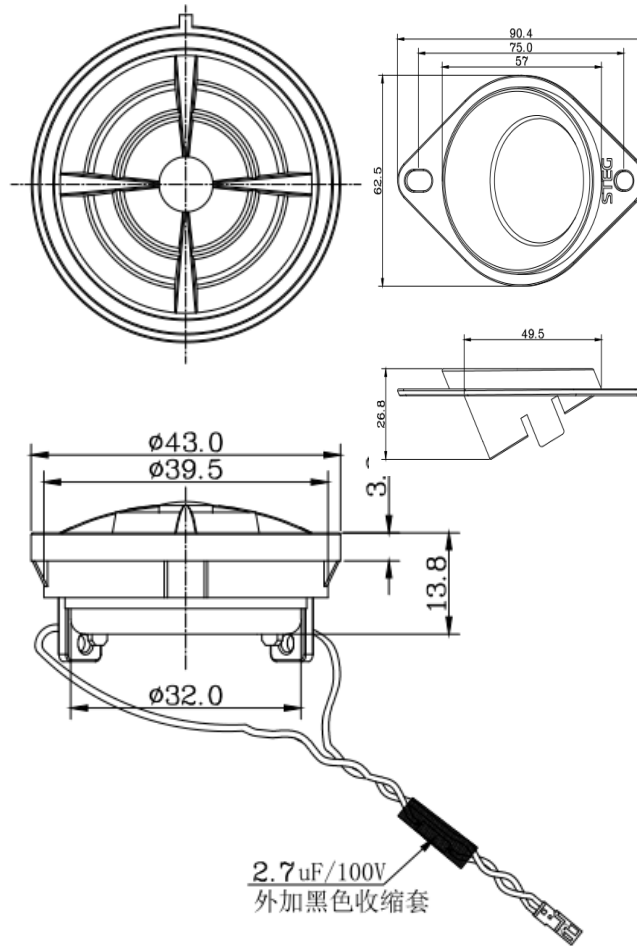
Frequency Range: 1500-22000 Hz

Sensitivity 1W/1M: 91dB

Weight: 0.07(KG)

Mounting Depth: 15 mm/27mm

Mounting Diameter:43.5mm/50.0mm



Speaker Model:BMX45C

Cone Paper: Special rubber edge+ Special Paper

DCR Impedance: 4.0 Ω

Maximum Power: 30 W

Frequency Range: 85-15000Hz

Sensitivity 1W/1M: 88 dB

Qms: 2.34

Qes: 0.30

Qts: 0.26

Mms: 6.95G

Vas: 4.97 L

Weight: 0.41 KG

Mounting Depth: 15.0 MM

Mounting Diameter: 100.0 MM

