

Woofer technical parameters:

Drum paper material: special paper cone

Voice coil size: 51mm

Continuous power: 100 W

Frequency response: 50-4000Hz

DC resistance: 3.4 Ω

F₀: 50 Hz

SPL: 90 dB

S_d: 213.8 cm²

Bl: 7.4 Tm

Q_{ms}: 6.87

Q_{es}: 0.52

Q_{ts}: 0.48

No: 0.61%

V_{as}: 23.3Ltr

C_{ms}: 359.5mm/N

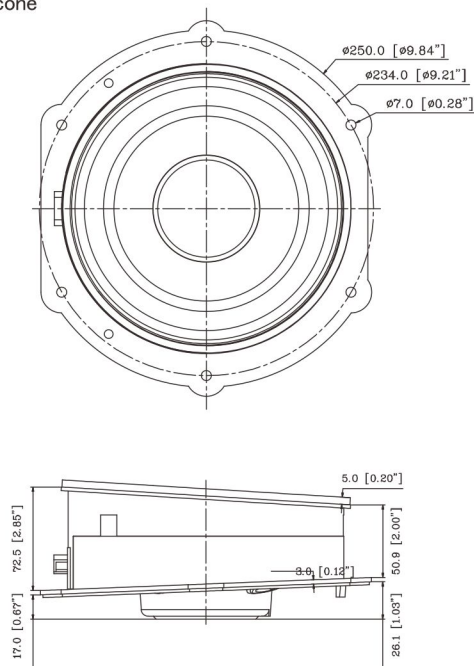
M_{ms}: 25.8g

M_{md}: 22.1g

Weight: 1.54 kg

Installation depth: 30 mm

Installation diameter: 200 mm



Tweeter technical parameters:

Diaphragm material: imported silk

Voice coil size: 32mm

DC resistance: 6.8 Ω

Continuous power: 20 W

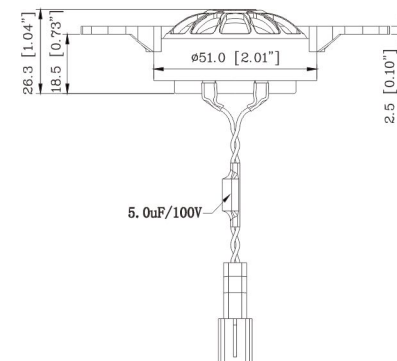
Frequency response: 1300-22000Hz

Sensitivity: 90 dB

Weight: 0.12 kg

Installation depth: 22 mm

Installation diameter: 96.5 mm



Product packaging list:

Woofer	X2
Tweeter	X2
User guide	X1
Warranty card	X1
Certificate	X1