

Woofer technical parameters:

Drum paper material: special paper cone

Voice coil size: 51mm

Continuous power: 50 W

Frequency response: 65-5000Hz

DC resistance: 3.6 Ω

F₀: 65 Hz

SPL: 84 dB

S_d: 120.7 cm²

Bl: 4.7 Tm

Q_{ms}: 6.42

Q_{es}: 1.13

Q_{ts}: 0.96

No: 0.16%

V_{as}: 7.4Ltr

C_{ms}: 357.3mm/N

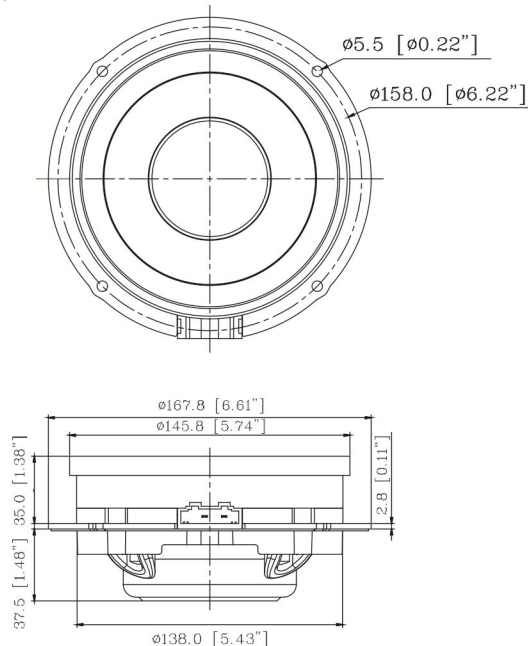
M_{ms}: 17.6g

M_{md}: 17.2g

Weight: 1.23 kg

Installation depth: 40 mm

Installation diameter: 140 mm



Tweeter technical parameters:

Diaphragm material: imported silk

Voice coil size: 25.4mm

DC resistance: 3.6 Ω

Continuous power: 20 W

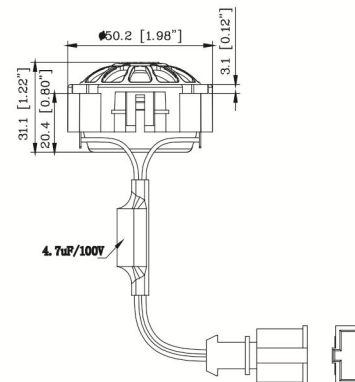
Frequency response: 700-22000Hz

Sensitivity: 90 dB

Weight: 0.08 kg

Installation depth: 24 mm

Installation diameter: 51 mm



Product packaging list:

Woofer	X2
Tweeter	X2
User guide	X1
Warranty card	X1
Certificate	X1