

# Speaker Model:Principe

IAPHRAGM MTL:Rubber+Bullet proof cotton

NOMINAL IMPEDANCE:  $4.0 \pm 15\% \Omega$

DCR IMPEDANCE:  $3.4 \pm 10\% \Omega$

SENSITIVITY 1W/1M:  $86.0 \pm 3 \text{ dB}$

FREQUENCY RESPONSE: 50-10K Hz

FREE AIR RESONANCE:  $50 \pm 20\% \text{ Hz}$

VOICE COIL DIAMETER: 35.5 mm

RATED POWER INPUT: 20 W

MAXIMUM POWER INPUT: 40 W

MAGNET WEIGHT(OZ): NEO

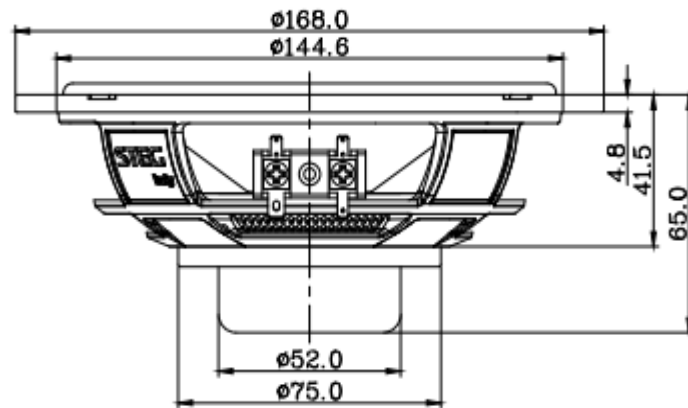
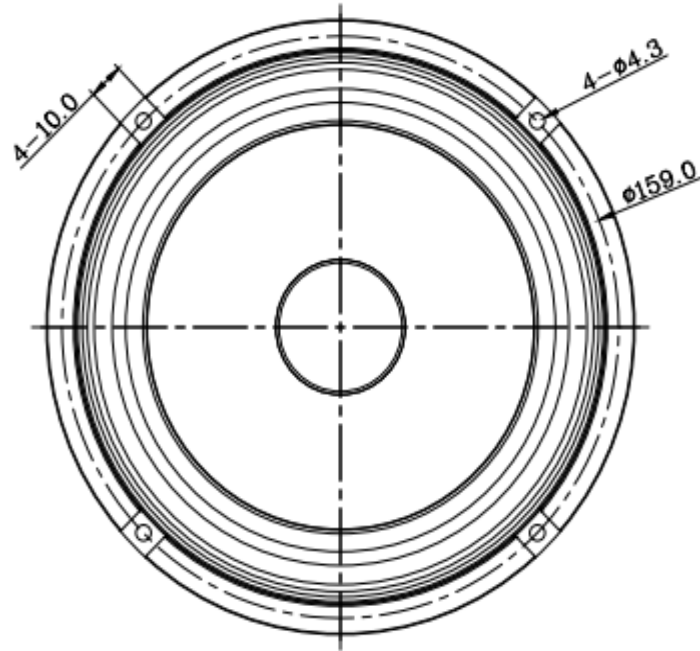
FERRO FLUID ENHANCED: NO

$Q_{ms}$ : 3.9

$Q_{es}$ : 0.57

$Q_{ts}$ : 0.49

BL: 4.6



### SPL vs Freq



### Impedance vs Freq

