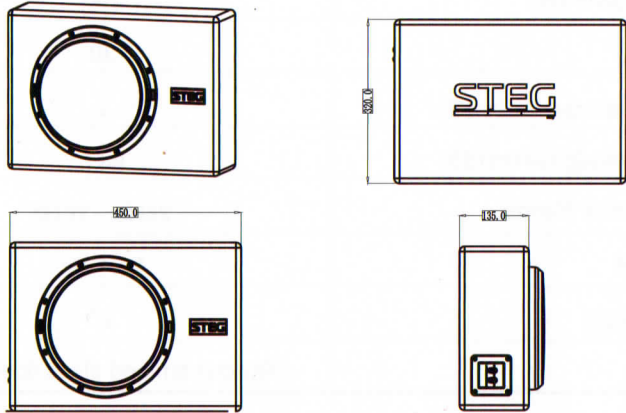
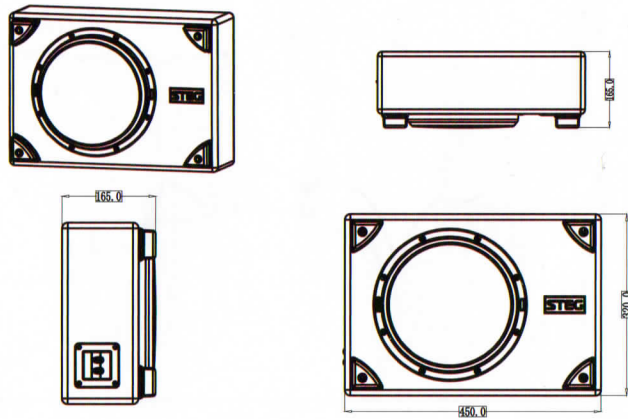


Installation mode :

1.footless



2.Have foot pads



STEG

ST10P

PRECAUTIONS

- Before making holes, check the mounting space with supplied template.
- To prevent noise pick-up, keep the wiring away from motors, highvoltage leads and other potential noise sources.
- To prevent a short-circuit, keep all wiring away from moving parts and sharp edges.
- Make sure you carefully read and understand the installation instructions before installing this subwoofer in your vehicle.

SUBWOOFER SPEAKER SYSTEM
OWNER'S MANUAL

Thank you for purchasing a **STEG** Subwoofer Speaker. It is a state-of-the-art product specifically designed and engineered for vehicle use, and has been thoroughly tested to ensure consistent and reliable performance.

Should you have any questions regarding the installation or operation of your **STEG** Subwoofer Speaker, which are not answered in this manual, please contact your dealer for assistance.

FEATURES

10" Subwoofer Speaker

Rms.Power: 200W

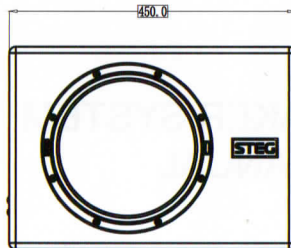
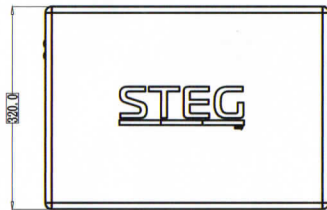
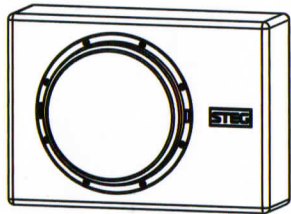
Aluminum alloy bracket

Special glass fiber basin with rubber edge

2 ohm 2" Aluminum Voice Coil

53.4 Oz Magnet Structure

尺寸:



SPECIFICATIONS	ST10P
Rms.Power (W)	200
Fo (Hz)	30
Nominal Impedance (Ω)	2
Sensitivity@1w/1m (dB)	84.5
Frequency Range	26Hz~1KHz
Magnet	53.4 Oz
Voice Coil	2"
Cone	Rubber rimmed glass fiber basin

